

# BOLTER 99

*Roof bolter for medium to big sections*

---



---

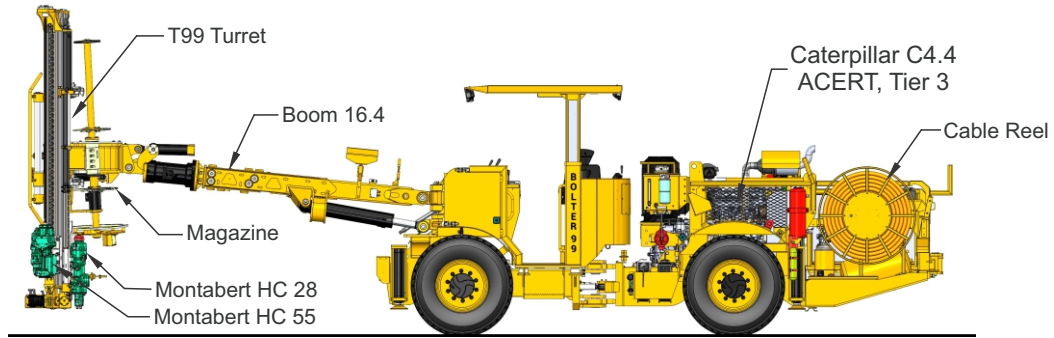
BOLTER 99 for roof bolting and mechanized meshing, allows to efficiently and safety reinforce roof structures in underground mines, ideal for sections of 3.4 x 3.4 m up to 7.7 m of height.

Equipped with Bolting Turret T99 with two Montabert drifter, HC 55 for drilling and HC 28 for bolting and Magazine of bolts. It can install Split Set bolts, Rebar with resin or cement, Swellex, Hydrabolt and Python.

The boom mesh manipulator option allows mechanized meshing. All the entire combined operation can be performed safely for the operator.

Chassis for heavy duty, articulated 4WD, self-propelled with diesel engine and electrohydraulic system for drilling.

# SPECIFICATIONS



## DRIFTER

### Drilling Feed

• Model	Montabert HC 55
• Percussion power	15 kW
• Percussion pressure	160 - 200 bar
• Frequency	77 - 95 Hz
• Rotation torque	486 Nm
• Hole diameter	32 - 64 mm
• Air consumption (lubrication)	5 l/s (a 3 bar)
• Oil consumption (lubrication)	1.5 a 3 cc/min
• Water consumption	50-120 l/min (15-25 bar)
• Shank adapter	R32 female
• Weight	116 kg

### Bolting Feed

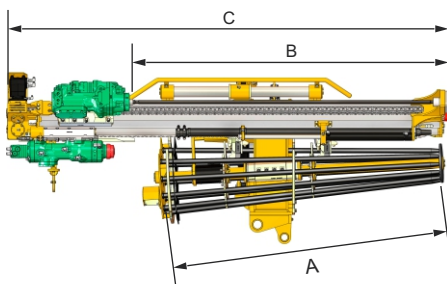
• Model	Montabert HC 28
• Percussion power	9.5 kW
• Shank adapter	R32 female
• Weight	103 kg

## BOLTING TURRET

• Model	T99
• Magazine of bolts capacity and plate (*)	10 bolts with 20 cm plate 12 bolts with 15 cm plate
• Double feed	RE 5000 Series
• Feed extension	340 mm
• Drifter advance	Hydraulic motor and chain
• Coupling mesh clamp feed drilling	
• Type of bolts	Split Set, Hydrabolt, Rebar, Swellex

### Options:

Bolt (A)	Rod (B)	Turret length (C)
7' (2,134 mm)	8' (2,438 mm)	3,383 mm
8' (2,438 mm)	9' (2,743 mm)	3,633 mm
10' (3,048 mm)	11' (3,353 mm)	4,213 mm



(\*) Bolts from Ø46 or larger have another configuration

## CARRIER

• Model	C66X
• Diesel engine	Caterpillar C4.4 ACERT, Tier 3
- Power	106 kW @ 2200 rpm
• Exhaust catalyser	DOC (Diesel Oxidation Catalyst)
• Transmission	Hydrodynamics
• Powershift gearbox	Dana, T20000
• Differential axle	Dana, Series 113
• Rear axle oscillating	± 8°
• Tramming speed:	
- Horizontal	Max. 16 km/h
- Positive ramp 15%	Max. 7 km/h
• Positioning pump	Parker
• Service brakes	Wet discs
• Emergency and parking brakes	SAHR (Spring Applied Hydraulic Release)
	±40°
• Steering (articulated carrier)	12.00 x R20
• Tyres	2 extendable front, 2 rear
• Hydraulic jacks	FOPS / ROPS
	20.6 gal / 78 l
• Canopy	24 VDC
• Fuel tank	24 VDC
• Battery	8X, LED 28W, 9-32 VDC
• Electric system	SKF
• Tramming lights	SKF
• Centralized grease system	
• Drilling lubrication system	ANSUL, 4 nozzles
• Automatic fire suppression system	1x20 lb (PQS)
• Fire extinguisher	Manual
• High pressure washing system	Manual
• Reel grease gun	Manual

## BOOM

• Model	Boom 16.4
• Boom extension	1600 mm
• Lift angle	+50° / -20°
• Swing angle	±30°
• Rotation	360°
• Hydraulic cylinders	



**HYDRAULIC CONTROL SYSTEM**

• Direct control valve	Parker KA-18
• Drilling Control	PCS (Pilote Control System)
• Percussion pump (compensated pressure)	Rexroth A10VO71
• Pump	Parker
• Working pressure	180 - 200 bar
• Hydraulic oil tank	37.5 gal / 142 l
• Hydraulic return filter	Parker, 10 $\mu$
• Hydraulic pressure filter	Parker, 10 $\mu$
• Hydraulic filter saturation indicator	Parker
• Low oil level indicator	Hydac
• Oil temperature indicator	Hydac

**WATER AND AIR SYSTEM**

• Electric compressor	CTN3
• Maximum capacity	1.65 m <sup>3</sup> /min
• Working pressure	8 bar
• Water pump and hydraulic motor	Grundfoss, CR5 - 9
• Maximum flow	6.9 m <sup>3</sup> /h (115 l/m)@3500rpm
• Minimum water inlet pressure	2 bar
• Bowman cooler	FG-120, 48.6 GPM, 20 bar
• Air tank	90 l

**ELECTRIC SYSTEM**

• Electric motor	55kW (75 HP)
• Voltage	380 - 440 VAC
	Option: 550 - 690 - 1000 VAC
• Frequency	50 - 60 Hz
• Starting method	Star - Triangle
• Option to 1000 VAC	Direct start
• Overload protection and ground fault	
• Percussion horometer	24V
• Phase sequence indicator	
• Battery charger	IN 32 VAC, 300W 13A OUT 28 VDC
• Electric transformer	3.5 kVA
• Working lights	2X, LED 50W, 9-32 VDC
• Electric cable reel	90 m
• Electric cable	3x35 mm <sup>2</sup> - 1KV
• Degree of protection	IP 55

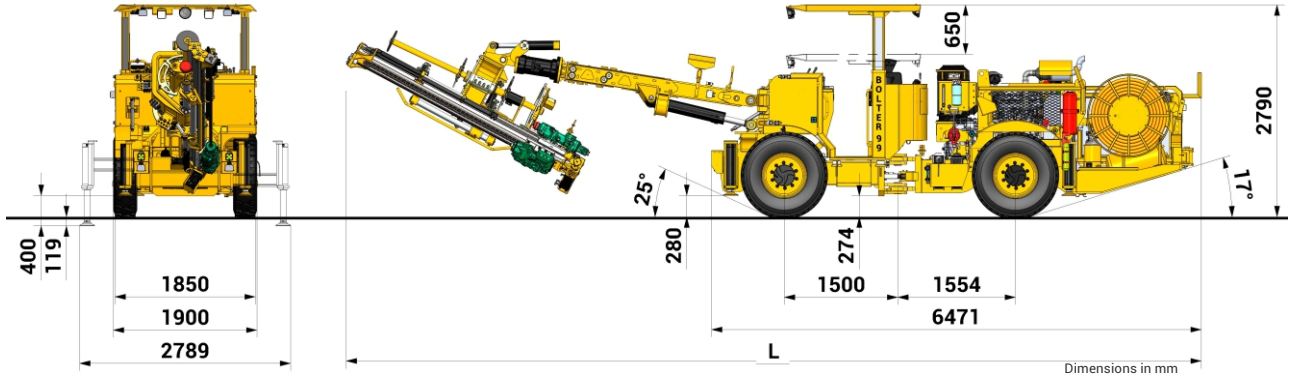
**OPTIONS**

• Diesel engine	Deutz BF4L914, Tier II, EPA II 72.4 kW @ 2300 rpm FOPS/ROPS certifications
• A/C Enclosed Cabin	
• Tropical cooler for hot environments	
• Boom mesh manipulator	
• T99 turret (HC 50)	Drilling system HC 55 Bolting system HC 55

## Optional: - Boom Mesh Manipulator



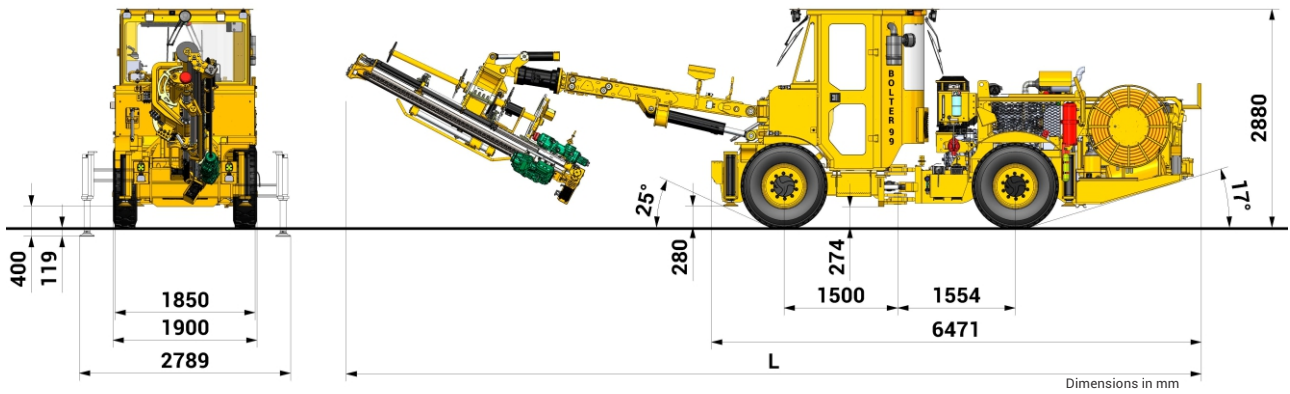
# DIMENSIONS



Bolt	7'	8'	10'
Length of rig (L)	10,960	11,192	11,396

<b>Total Weight</b>	<b>15,640 kg</b>
---------------------	------------------

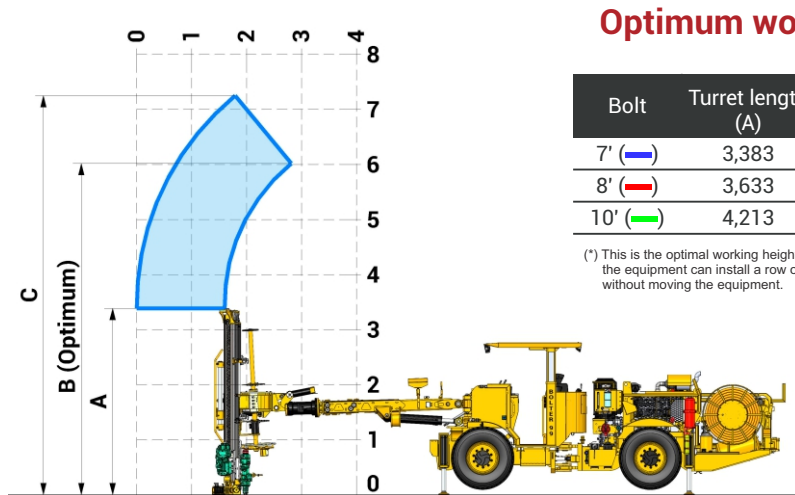
## Option: A/C Enclosed Cabin



<b>Total Weight</b>	<b>16,180 kg</b>
---------------------	------------------



# COVERAGE



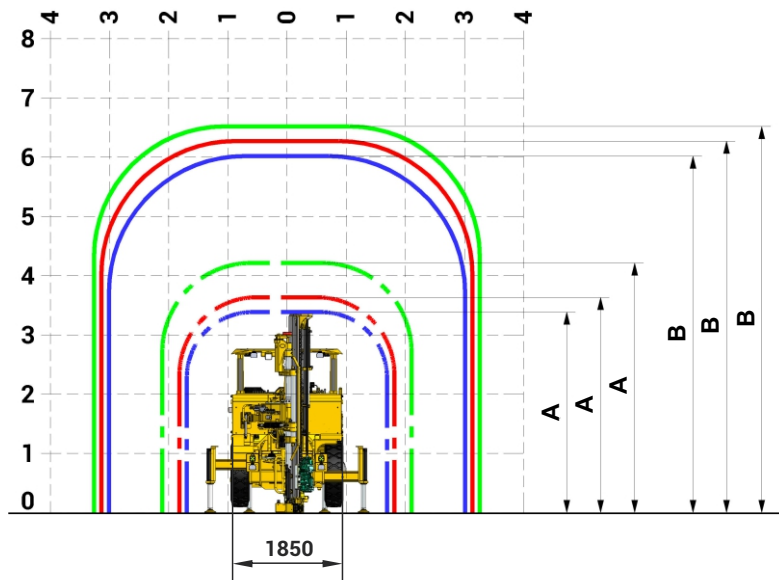
## Optimum work roof height

(\*\*)

Bolt	Turret length (A)	Optimum (B)	Height máx. (C)
7' (blue)	3,383	6,020	7,250
8' (red)	3,633	6,270	7,500
10' (green)	4,213	6,520	7,750

(\*) This is the optimal working height, where the equipment can install a row of bolts without moving the equipment.

Dimensions in mm



# TURNING RADIUS

