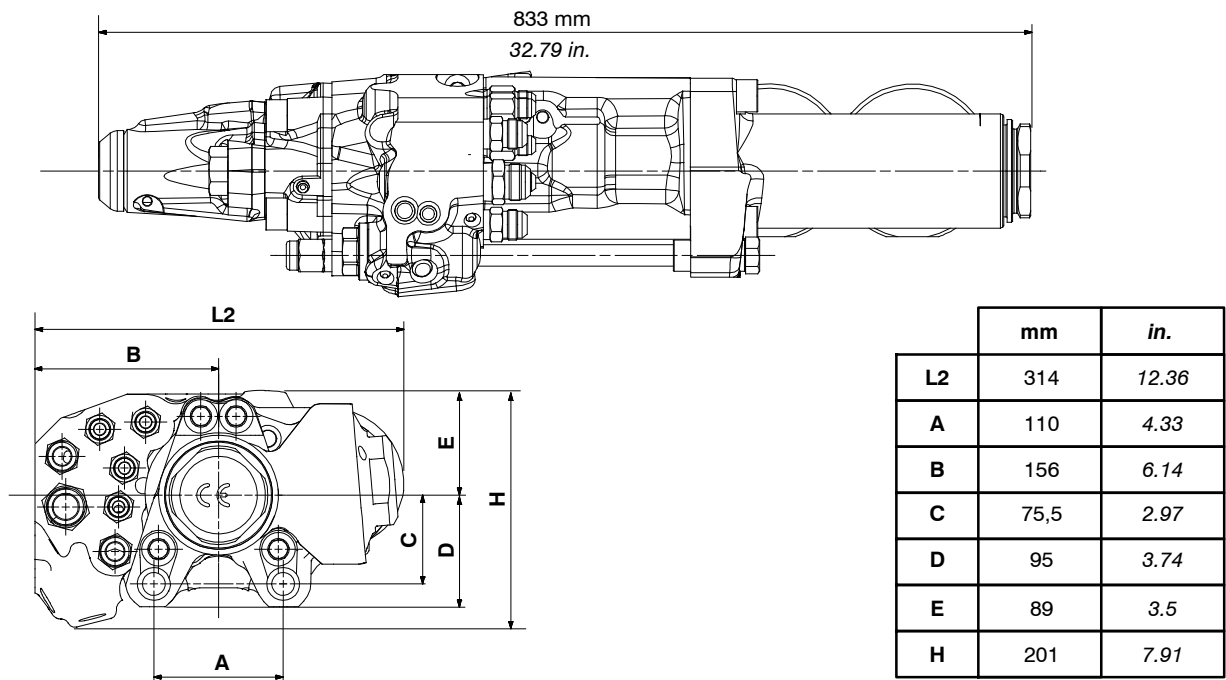


HC50



Type	independent rotation			
Max. strike flow	l/mn	GPM	105	28
Max. strike pressure	bar	PSI	130	1886
Max. strike frequency with E piston	Hz	BPM	62	3700
Energy per blow	J	ft.lb	210	155
Max. rotation pressure	bar	PSI	150	2177
Rotation flow motor 043 (bit dia. ≤76 mm)	l/mn	GPM	30	8
Max. rotation speed motor 043	t/mn	RPM	210	210
Max. rotation torque motor 043	Nm	ft.lb	325	239
Rotation flow motor 055 (bit dia. ≤89 mm)	l/mn	GPM	35	9
Max. rotation speed motor 055	t/mn	RPM	195	195
Max. rotation torque motor 055	Nm	ft.lb	415	306
Drain flow approx.	l/mn	GPM	4	1
Water flushing pressure	bar	PSI	8 ↗ 10	116 ↗ 145
Water flushing flow	l/mn	GPM	25	7
Air flushing pressure	bar	PSI	7 ↗ 8	102 ↗ 116
Air flushing flow	m ³ /mn	CFM	5	179
Front guide lubrication pressure	bar	PSI	3	44
Front guide lubrication air flow	l/mn	GPM	300	79
Front guide lubrication oil			6 drops/mn	6 drops/mn
Weight	daN	lb	102	225
Rod diameter	mm	in.	32 – 38	1"1/4 – 1"1/2
Max. recommended feed force	daN	lbf	1200	2700
Accu Nitrogen pressure HP	bar	PSI	35	508
Accu Nitrogen pressure LP	bar	PSI	4	58
Oil viscosity	cSt	cSt	ISO VG 32 / ISO VG 46	ISO VG 32 / ISO VG 46
Oil temperature	°C	°F	40 to 60	104 to 140
Air and water flushing temperature	°C	°F	5 to 40	41 to 104



Please consult us before using specific oil (non-inflammable, biodegradable, ...).