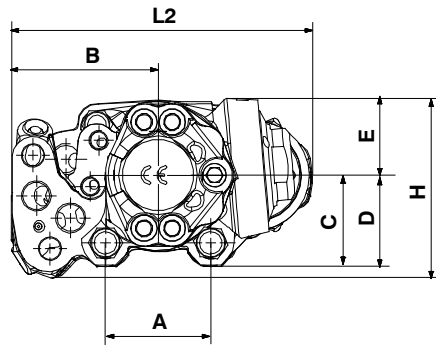
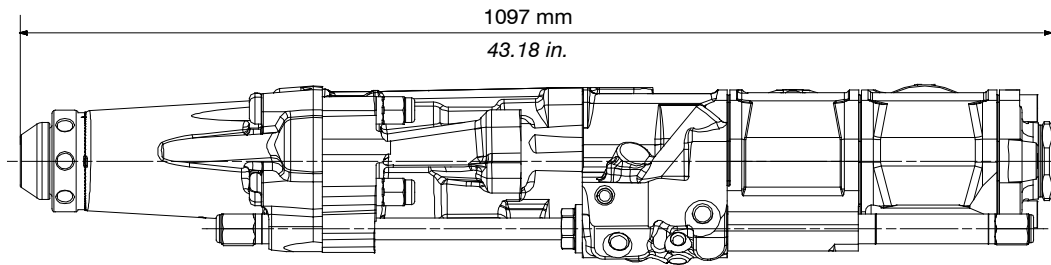


## HC109



	mm	in.
L2	320	12.6
A	112	4.4
B	156	6.14
C	72	2.83
D	97	3.81
E	80	3.14
H	190	7.48

Type	independent rotation			
Max. strike flow	l/mn	GPM	135	36
Max. strike pressure	bar	PSI	135	1959
Max. strike frequency with E piston	Hz	BPM	47	2800
Energy per blow	J	ft.lb	400	295
Max. rotation pressure	bar	PSI	150	2177
<b>Rotation flow motor 024</b> (bit dia. ≤64 mm)	l/mn	GPM	30	8
Rotation speed motor 024	t/mn	RPM	210	210
Max. rotation torque motor 024	Nm	ft.lb	340	250
<b>Rotation flow motor 031</b> (bit dia. ≤76 mm)	l/mn	GPM	45	12
Rotation speed motor 031	t/mn	RPM	230	230
Max. rotation torque motor 031	Nm	ft.lb	440	324
<b>Rotation flow motor 043</b> (bit dia. ≤76 mm)	l/mn	GPM	60	16
Rotation speed motor 043	t/mn	RPM	220	220
Max. rotation torque motor 043	Nm	ft.lb	610	449
<b>Rotation flow motor 055</b> (bit dia. ≤89 mm)	l/mn	GPM	60	16
Rotation speed motor 055	t/mn	RPM	175	175
Max. rotation torque motor 055	Nm	ft.lb	780	574
Drain flow approx.	l/mn	GPM	8	2
Water flushing pressure	bar	PSI	10 to 12	145 to 174
Water flushing flow	l/mn	GPM	30 to 50	8 to 13
Air flushing pressure	bar	PSI	8 to 12	116 to 174
Air flushing flow	m <sup>3</sup> /mn	CFM	10	358
Front guide lubrication pressure	bar	PSI	3	44
Front guide lubrication air flow	l/mn	GPM	300	79
Front guide lubrication oil			6 drops/mn	6 drops/mn
Weight	daN	lb	142	313
Rod diameter	mm	in.	38 – 45	1 1/2 – 1 3/4
Accu Nitrogen pressure HP	bar	PSI	40	580
Accu Nitrogen pressure LP	bar	PSI	4	58
Oil viscosity	cSt	cSt	ISO VG 32 / ISO VG 46	ISO VG 32 / ISO VG 46
Oil temperature	°C	°F	40 to 60	104 to 140
Air and water flushing temperature	°C	°F	5 to 40	41 to 104
Maximum required feed force	N	lbf	15000	3372



Please consult us before using specific oil (non – inflammable, biodegradable, ...).